

NOTES:

- CHECK O-RINGS FOR CUTS, NICKS, ETC. (APPLY THIN FILM OF O-RING GREASE) THROW AWAY WHEN IN DOUBT
- ALL FASTENERS WITH LOCKNUT, LOCK WASHER APPLY WITH TEF-GEL, NEVER-SEEZ MARINERS OR AQUA LUBE
- ALL OTHER FASTENERS INSTALL WITH NON-PERMANENT MEDIUM STRENGTH LOCTITE 243 (BLUE)
- TORQUE FASTENERS TO xx FT\*LBF AFTER LUBRICATING (FOLLOW TORQUE TABLE)

TORQUE VALUES FOR TI FASTENERS (LUBRICATED) IN-LBS		
SIZE	304 (18-8) SST	316 SST
10-24	19.4	20.2
1/4-20	63.9	67

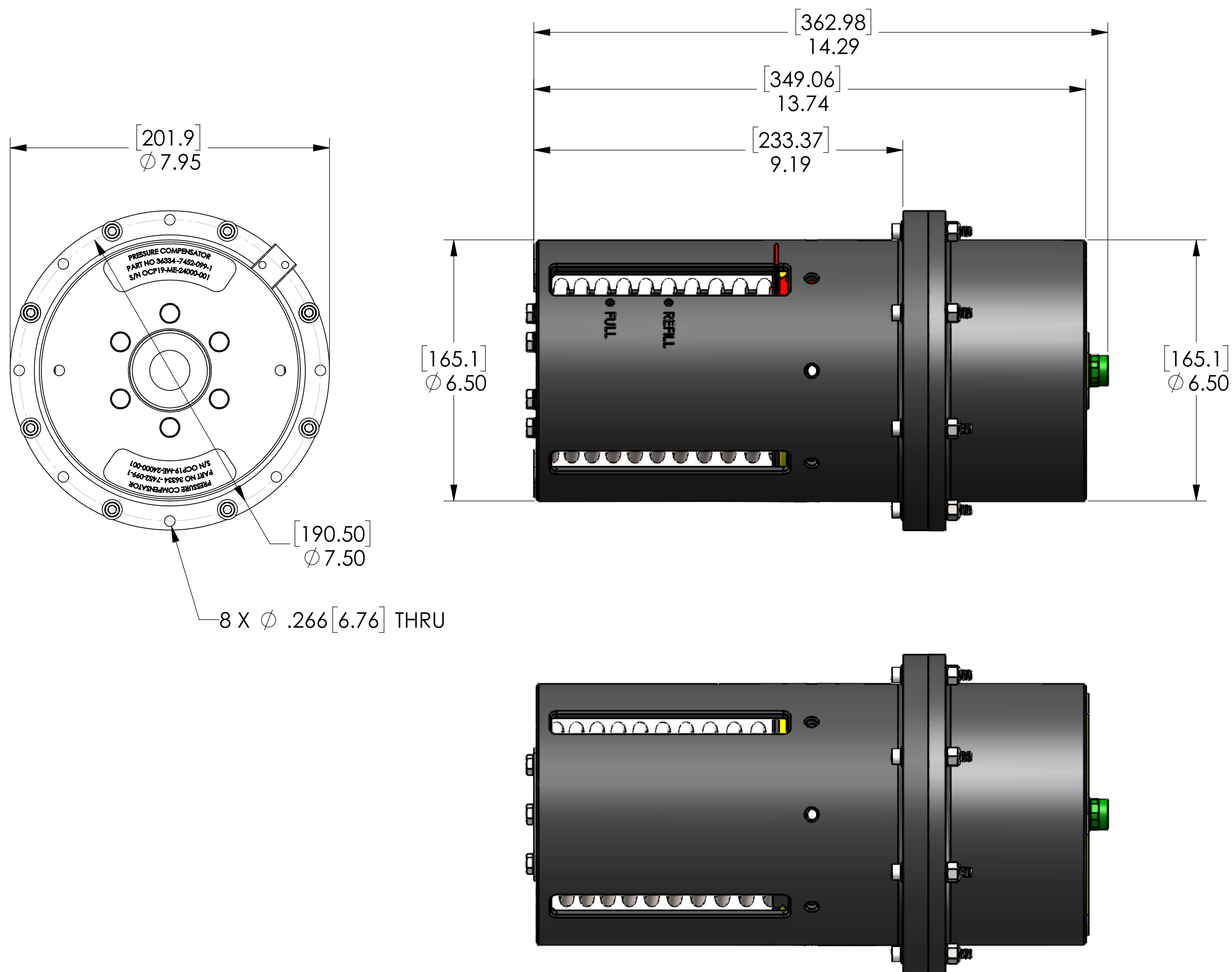
2.5L HYDRAULIC COMPENSATOR  
10.0 PSI FULLY CHARGED  
15 PSI POPOFF PRESSURE RELIEF VALVE SHOWN

CAPACITY: 157 CUBIC IN [ 2570 CC]10.0 PSI (FULL)  
WEIGHT: EMPTY 13.3 LBS [6.1kg]  
WEIGHT FULL: 19.1 LBS [8.7 kg]

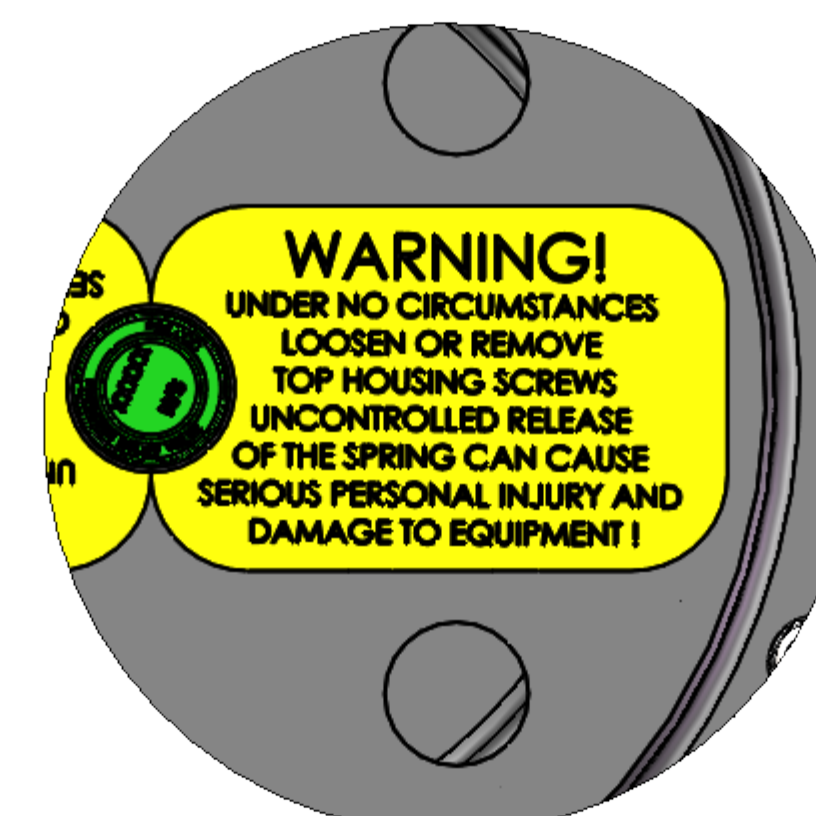


**WARNING**

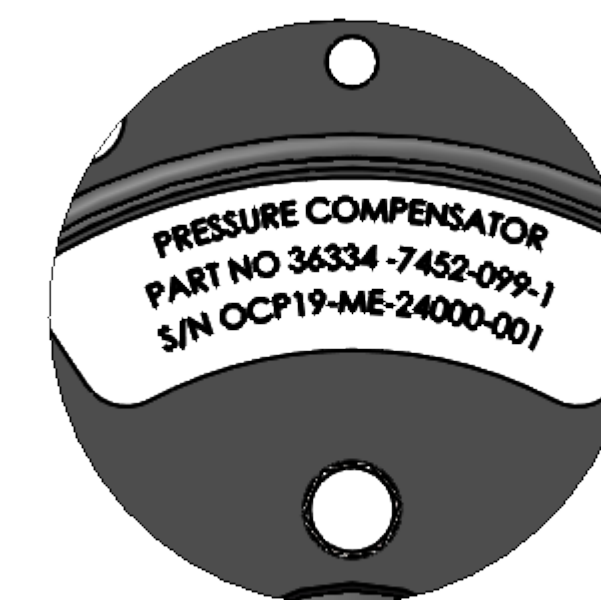
**UNDER NO CIRCUMSTANCES LOOSEN OR REMOVE TOP HOUSING SCREWS - ITEMS 8 UNCONTROLLED RELEASE OF THE SPRING CAN CAUSE SERIOUS PERSONAL INJURY AND OR DAMAGE TO SURROUNDING EQUIPMENT**



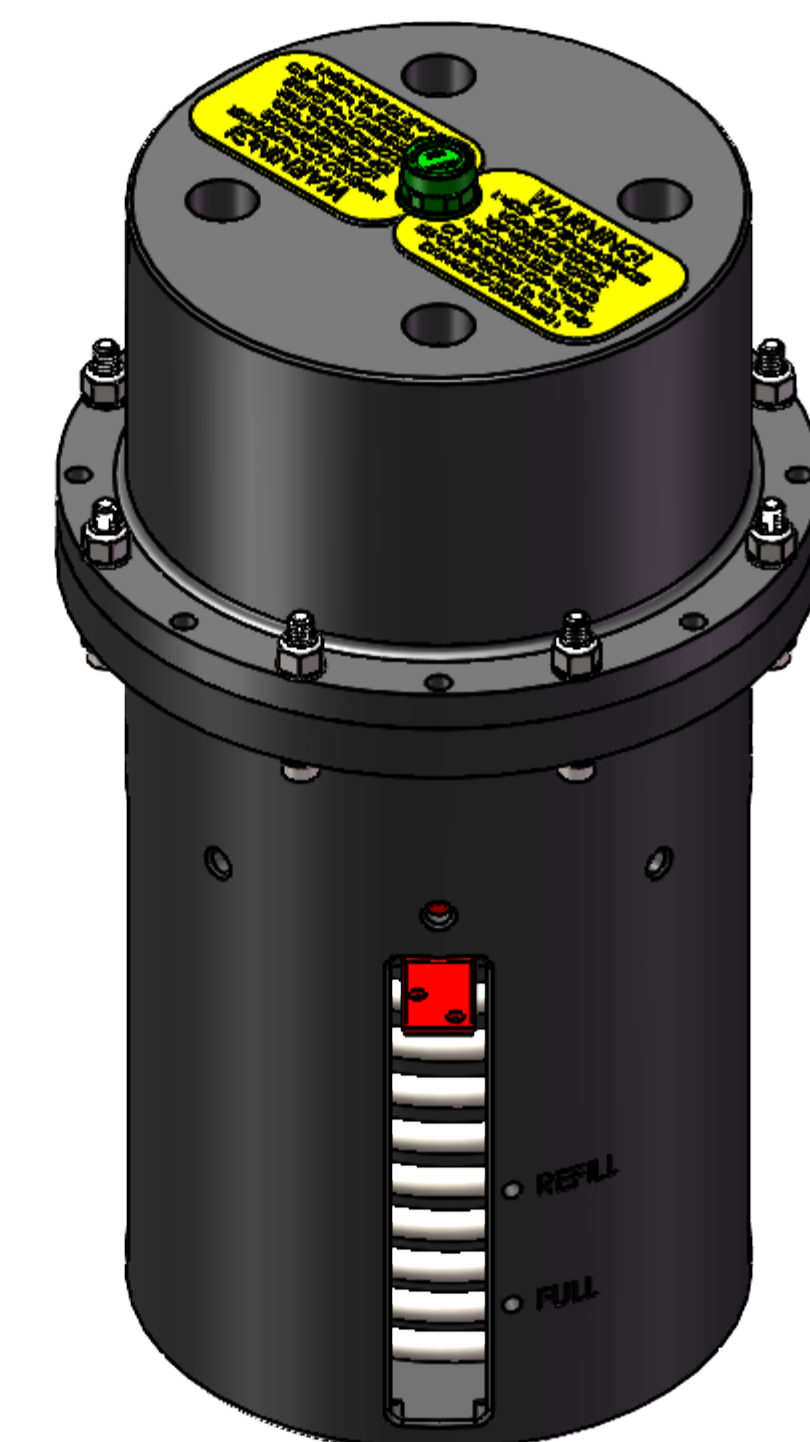
BILL OF MATERIALS						
ITEM #	Default /QTY	UOM	PART NUMBER	DESCRIPTION	MATERIAL DESCRIPTION	Vendor
1	1	EA	MD-OCP19-ME-24001-6	TOP HOUSING	DELTRIN BLACK	
2	1	EA	MD-OCP22-ME-24002-2	BOTTOM HOUSING	DELTRIN BLACK	
3	1	EA	MD-OCP22-ME-24003-1	PISTON	DELTRIN BLACK	
4	1	EA	MD-OCP19-ME-24004-5	DIAPHRAGM RET PLATE	DELTRIN BLACK	
5	1	EA	MD-OCP22-ME-24005-0	SPRING GUIDE	DELTRIN BLACK	
6	6	EA	1/4-20 X .25 HELICOIL INSERT	1/4-20 X .25 HELICOIL INSERT	Ti-AI6-4V	
7	1	EA	SPRING-FULL	COMPRESSION SPRING	INCONEL	
8	10	EA	1/4-20 X 1.75" SHCS	1/4-20 X 1.75" SOCKET HEAD CAP SCREW	Ti-6Al-4V	
9	6	EA	1/4-20 X 3/4 HELT BOLT	1/4-20 X 3/4 HELT BOLT	Ti-6Al-4V	
10	8	EA	NUT-SS-HXNL-1420	LOCK NUT 1/4-20	Ti-6Al-4V	
11	6	EA	WSH-Ti-6Al-4V-LK-14	LOCK WASHER 1/4	Ti-6Al-4V	
12	26	EA	WASHER 1/4X 1/2 X 0.06	WASHER 1/4X 1/2 X 0.06	Ti-6Al-4V	
13	1	EA	3-600-550-600-FCJ	BELLOW DIAPHRAGM	NITRILE	
14	1	EA	Mod-5-PRV-Assy	TITANIUM RELIEF VALVE 15 PSI	Ti-6Al-4V	
15	1	EA	MD-OCP19-ME-24007-1	LEVEL SENSOR BRACKET	Ti-6Al-4V	
16	4	EA	Ti HELICOIL 6-32X 0.2	Ti HELICOIL 6-32X 0.2	Ti-6Al-4V	
17	2	EA	WARNING LABEL	WARNING LABEL	LAMINATED PLASTIC	
18	2	EA	IDENTIFICATION LABEL	IDENTIFICATION LABEL	LAMINATED PLASTIC	



DETAIL L  
SCALE 1 : 1



DETAIL M  
SCALE 1 : 1



TOLERANCES unless otherwise noted				APPROVAL	
ANGLES ±0.3°	DECIMALS .XX ±.1	DECIMALS .XXX ±.010	DECIMALS .XXXX ±.005	DR / DATE PC	
Unless otherwise noted, all dimensions are in inches. DO NOT SCALE. Work to dimensions shown.				CHK / DATE PPR	
FINISH				APPRO / DATE PPR	
INTERPRET PER ANSI Y14.3 AND ANSI Y14.5M		DWG FILE NAME MD-OCP22-ME-24000-1.SLDDRW			
This document contains confidential information. All rights are owned by NV Mechanics Design Ltd. No use or disclosure is to be made without the written permission of NV Mechanics Design Ltd.					
<b>NV Mechanics Design Ltd.</b> 237 E Balmoral Rd. North Vancouver, BC, V7N 1R4 e-mail: sales@mechanicsdesign.com www.mechanicsdesign.com Phone: 604-250-3375 Fax 604-525-5570					
<b>2.5 L SUBSEA OIL COMPENSATOR (DELTRIN) ASSEMBLY OCP14</b>					
SIZE D	WBS	DWG. NO. MD-OCP22-ME-24000-1			
SCALE	WEIGHT 13.43 LBS	SHEET 1	OF 3		

8

7

6

5

4

3

2

1

9  
6

11  
6

12  
26

6  
6

2  
1

5  
1

7  
1

15  
1

?

16  
4

1  
1

13  
1

8  
10

12  
26

10  
8

4  
1

14  
1

DFT/DATE PC		SIZE D	DWG. NO. MD-OCP22-ME-24000-1	
CHK/DATE PPR		SCALE	WEIGHT 13.43 LBS	SHEET 2 OF 3
APPR / DATE PPR				

This document contains confidential information. All rights are owned by NV Mechanics Design Ltd.  
No use or disclosure is to be made without the written permission of NV Mechanics Design Ltd.

D

D

C

C

B

B

A

A

8

7

6

5

4

3

2

1

8

7

6

5

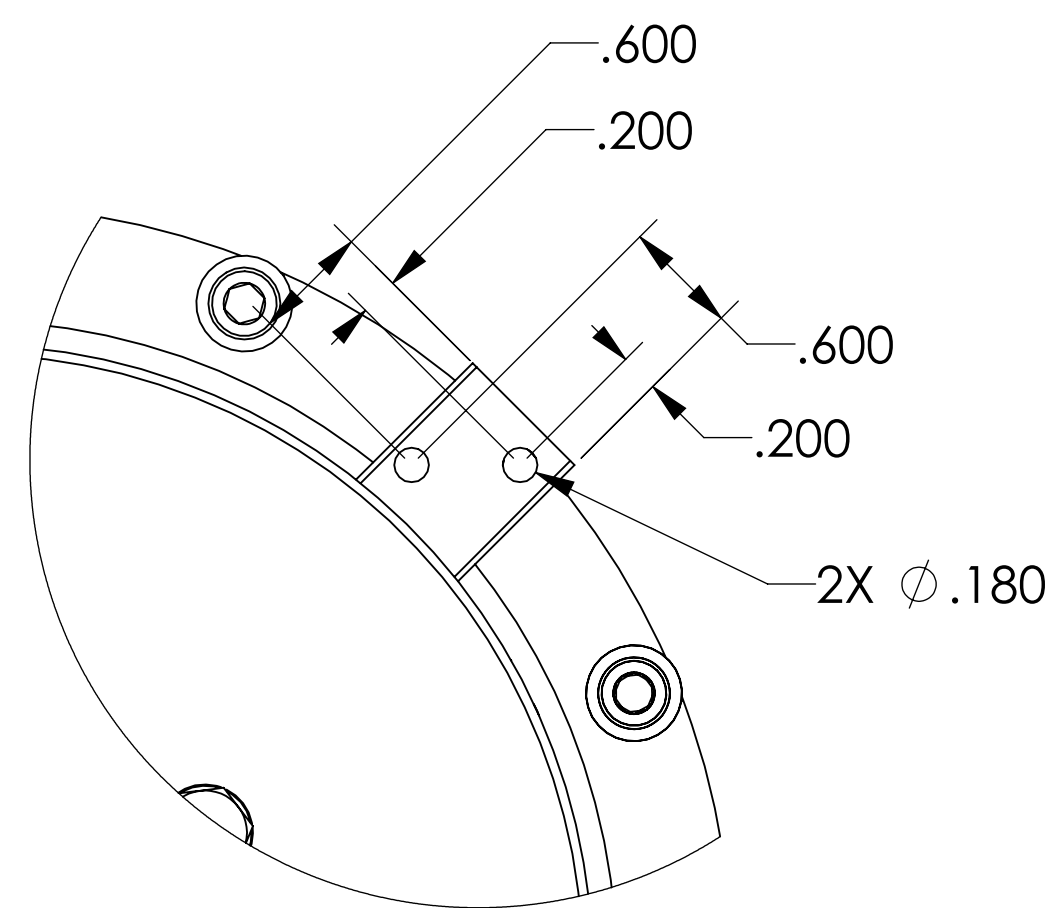
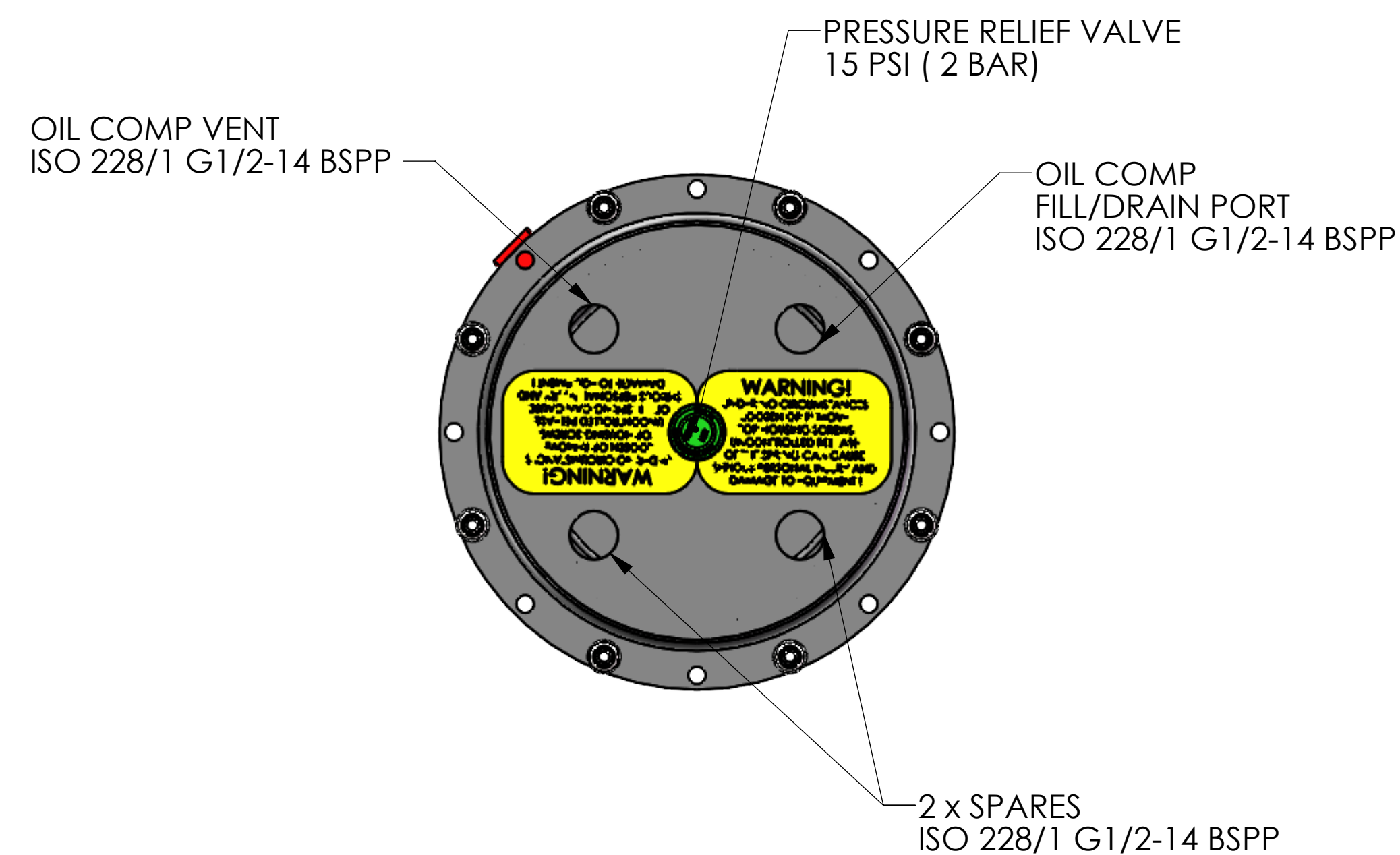
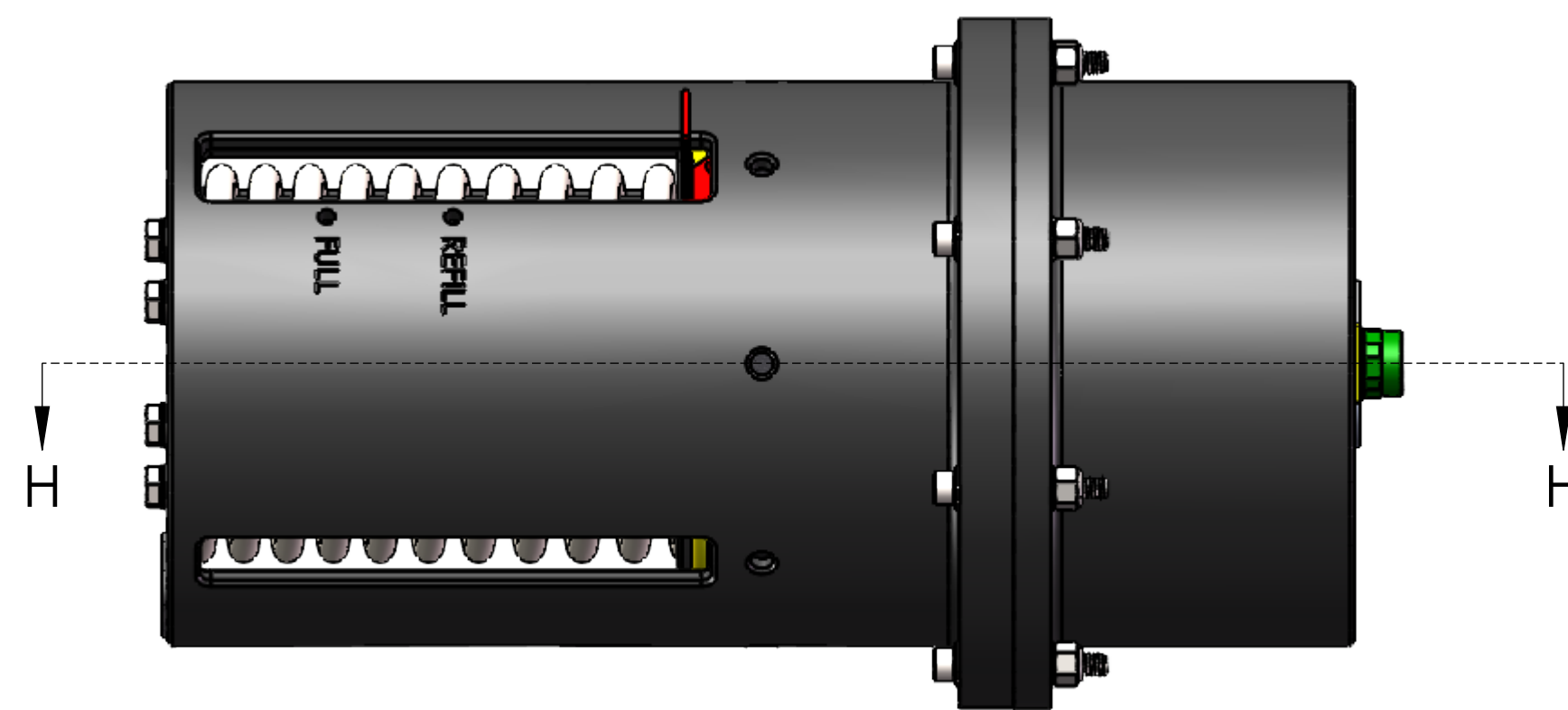
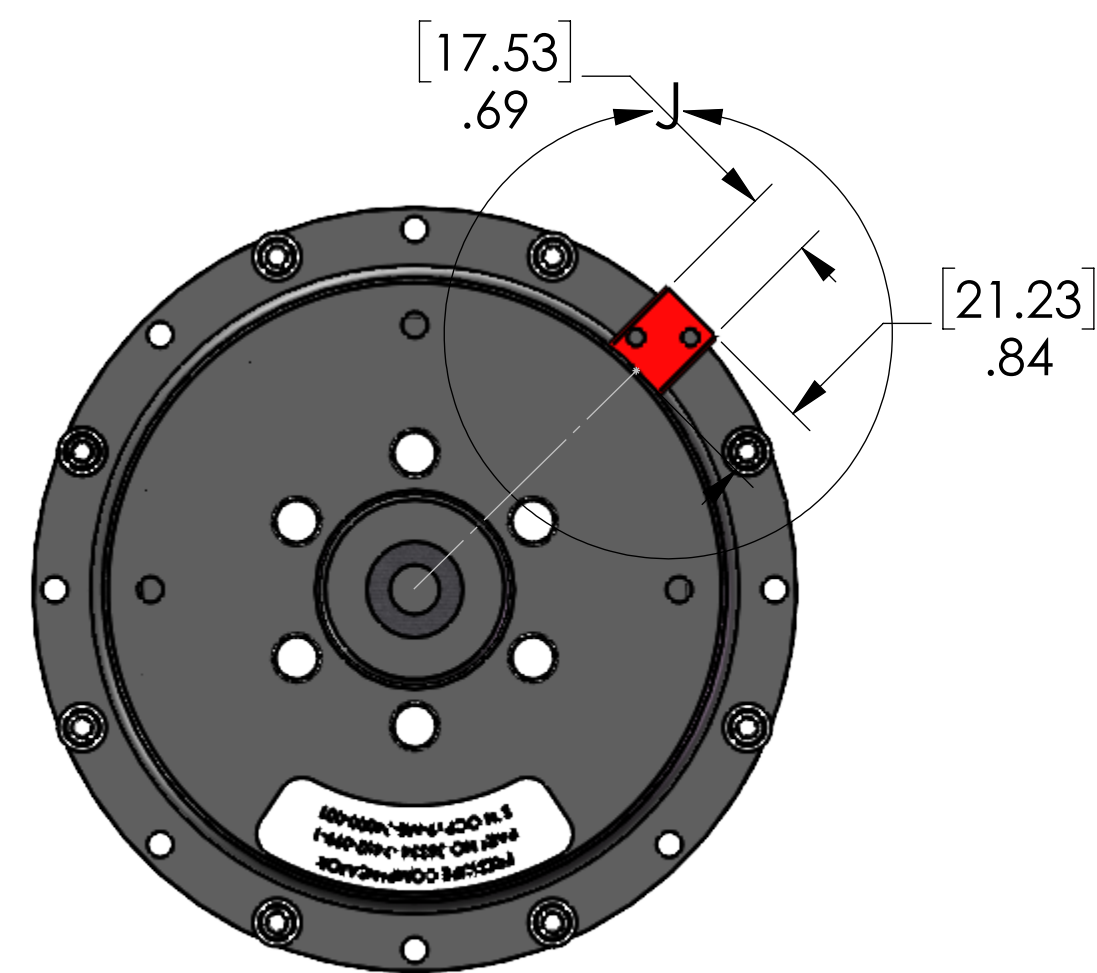
4

3

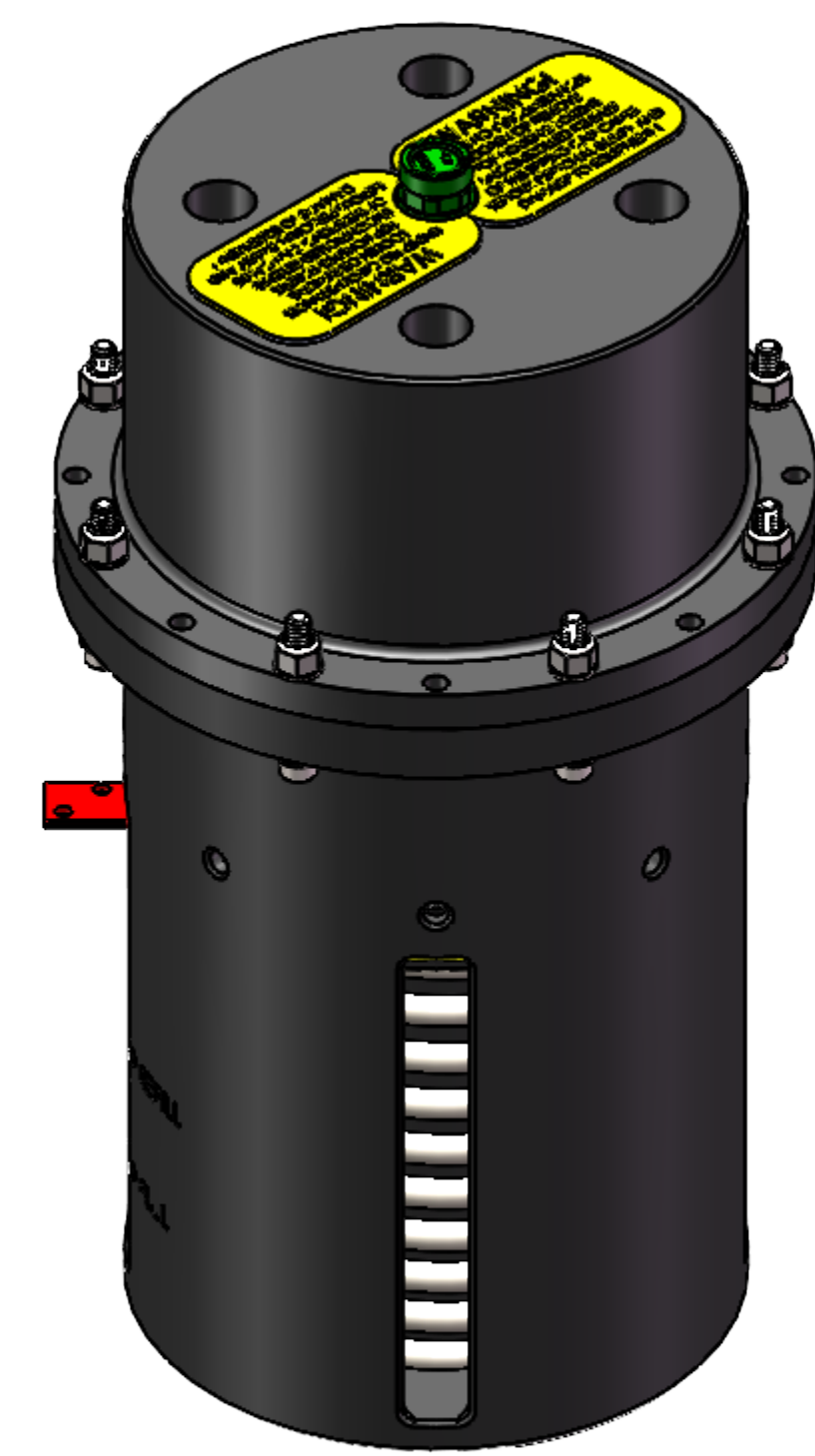
2

1

CAPACITY: 157 CUBIC IN [ 2570 CC ]  
10.0 PSI (FULL)



DETAIL J  
SCALE 1 : 1



<small>This document contains confidential information. All rights are owned by NV Mechanics Design Ltd. No use or disclosure is to be made without the written permission of NV Mechanics Design Ltd.</small>	DFI/DATE PC	SIZE WBS D	DWG. NO. MD-OCP22-ME-24000-1
	CHK/DATE PPR	SCALE	WEIGHT 13.43 LBS
	APPR / DATE PPR	SHEET 3 OF 3	

8

7

6

5

4

3

2

1