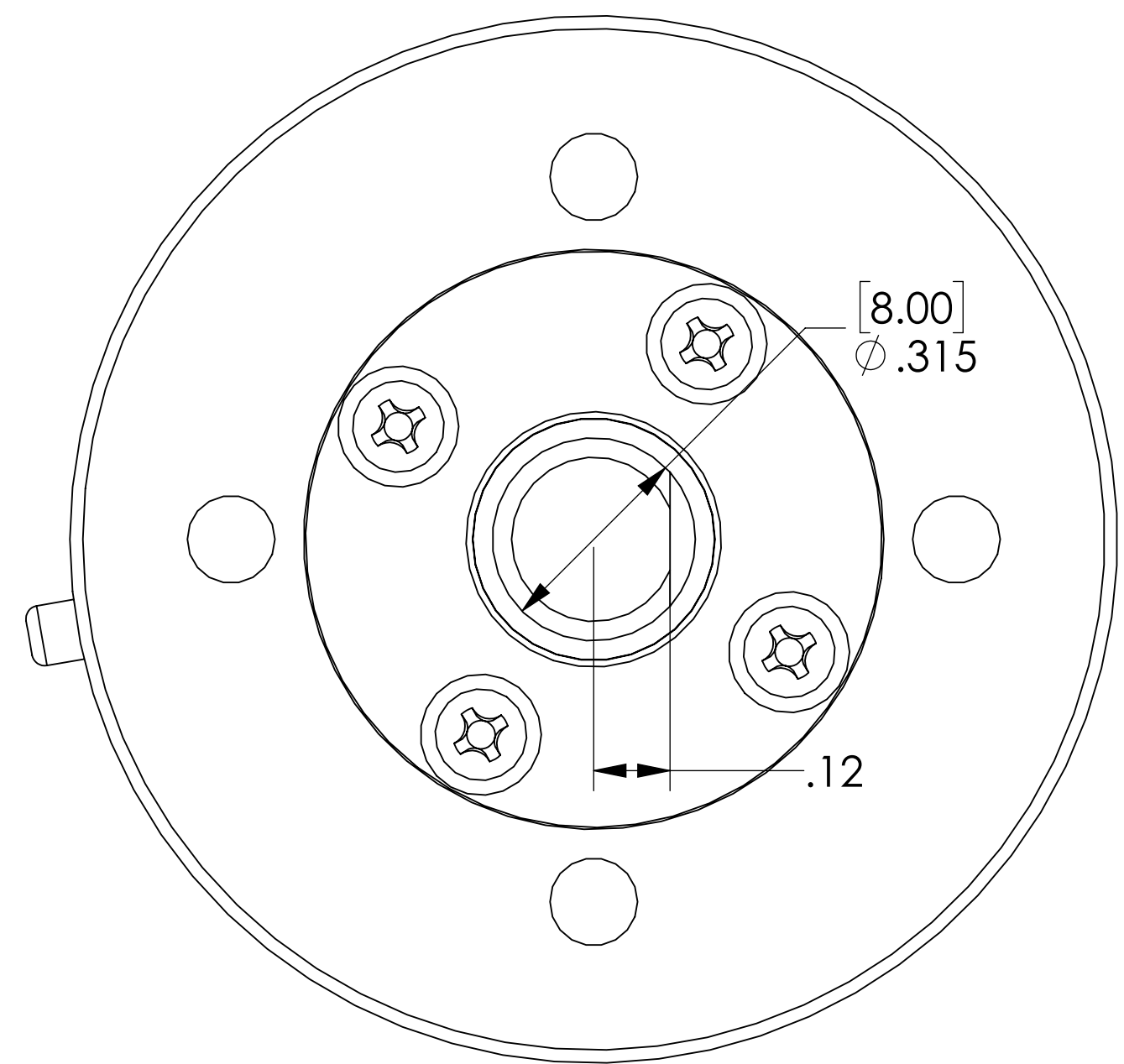
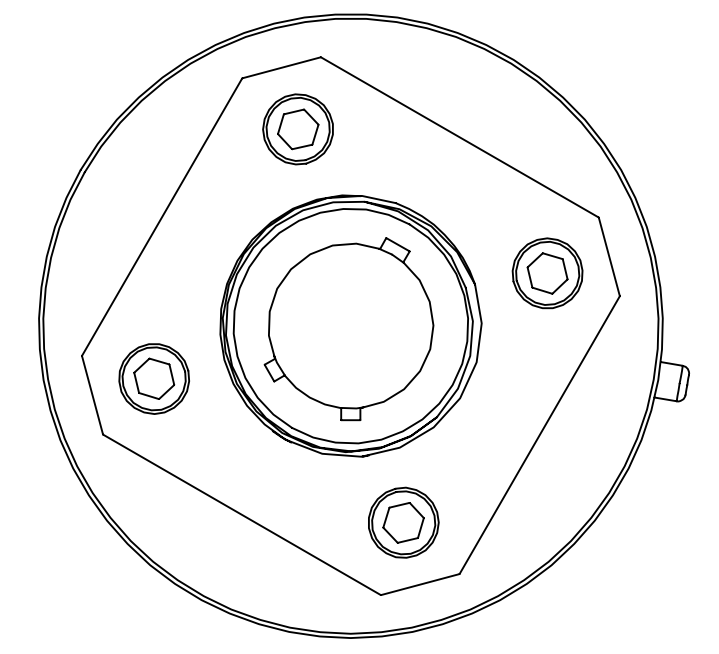
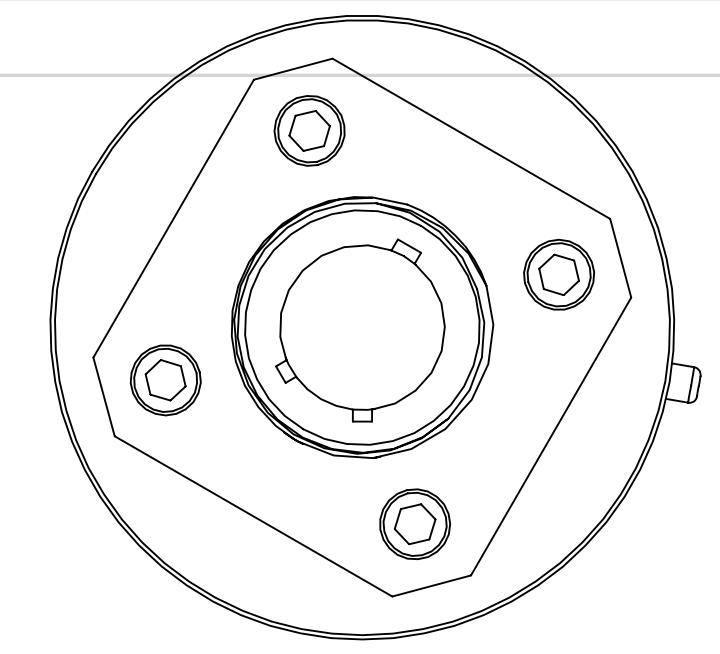
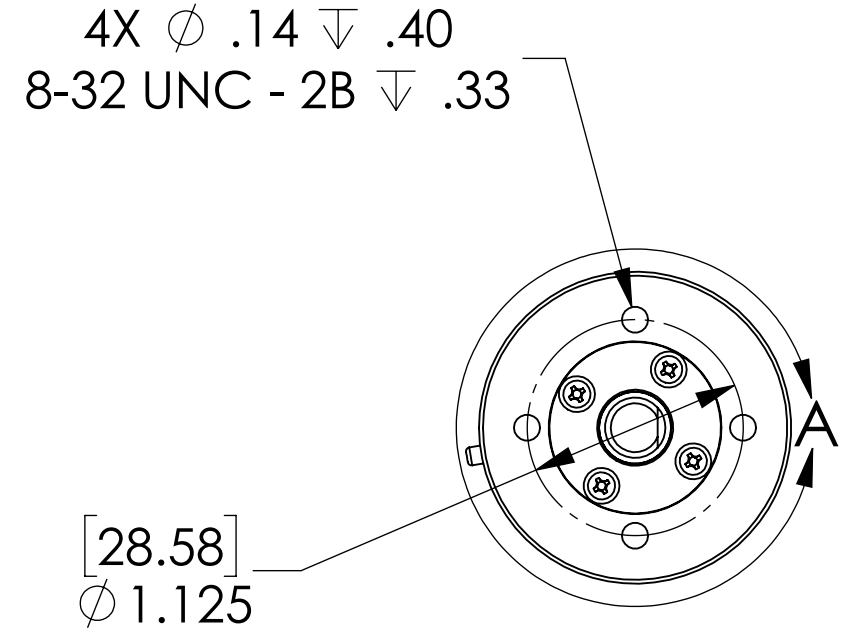
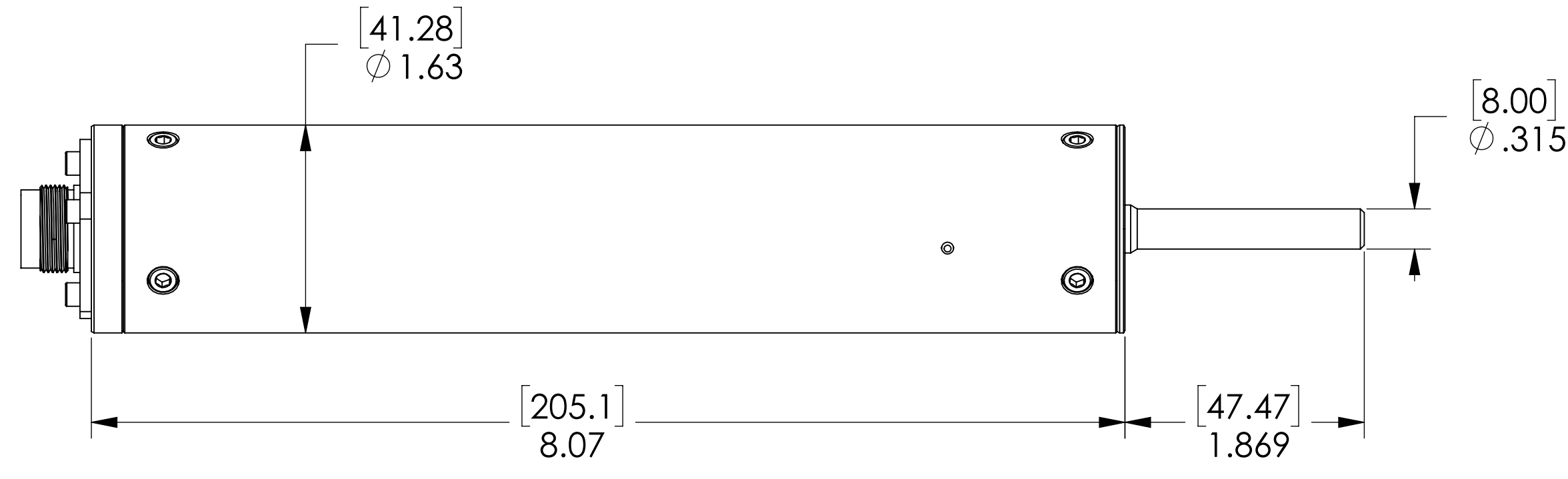
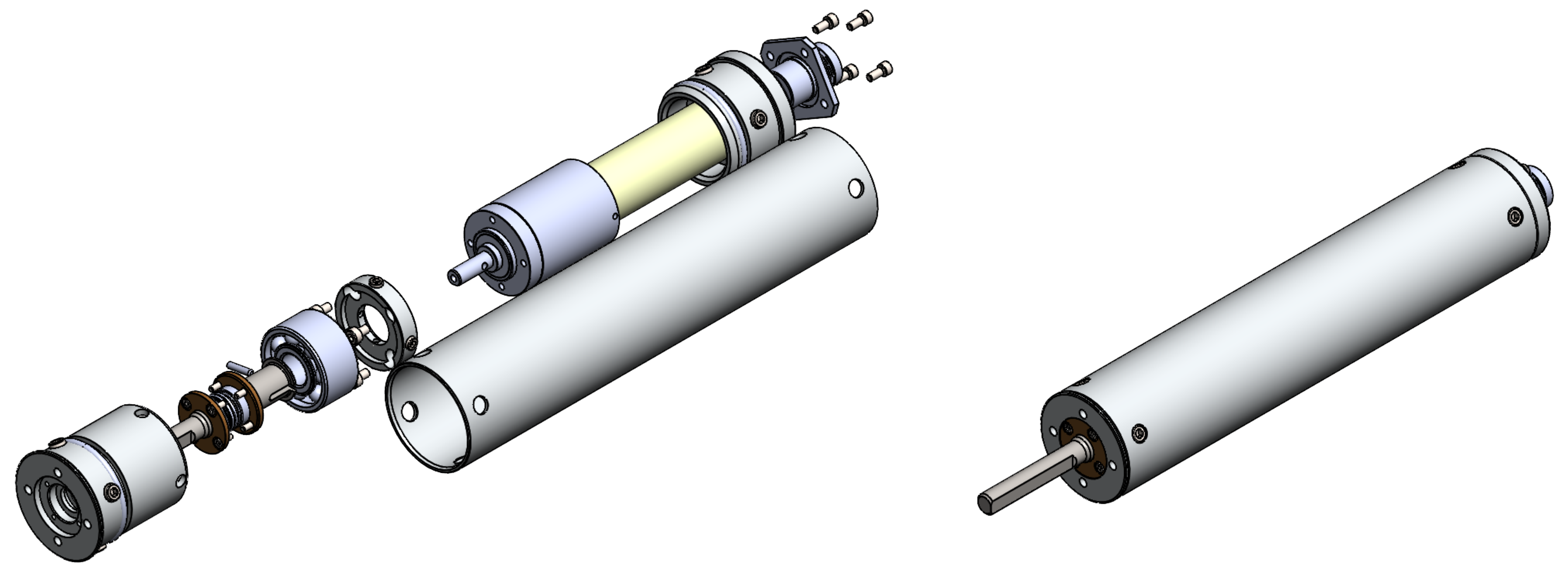


ROTARY ACCTUATOR MDM-SR20-UM1000-1	
MOTOR TYPE	BRUSHLESS MOTOR
NOMINAL VOLTAGE	24 VDC
NOMINAL TORQUE (MAX CONTINUOUS TORQUE)	9 Nm
MAX CONTINUOUS CURRENT	4.21 A
MAX OUTPUT SHAFT SPEED	123 RPM AT GEAR RATIO 66:1
DIAMETER	1.63 IN OR 41.2 mm
LENGTH	8 IN OR 206 mm
CONNECTOR	GLENAIR 802-012-02Z18 UNDERWATER CONNECTOR

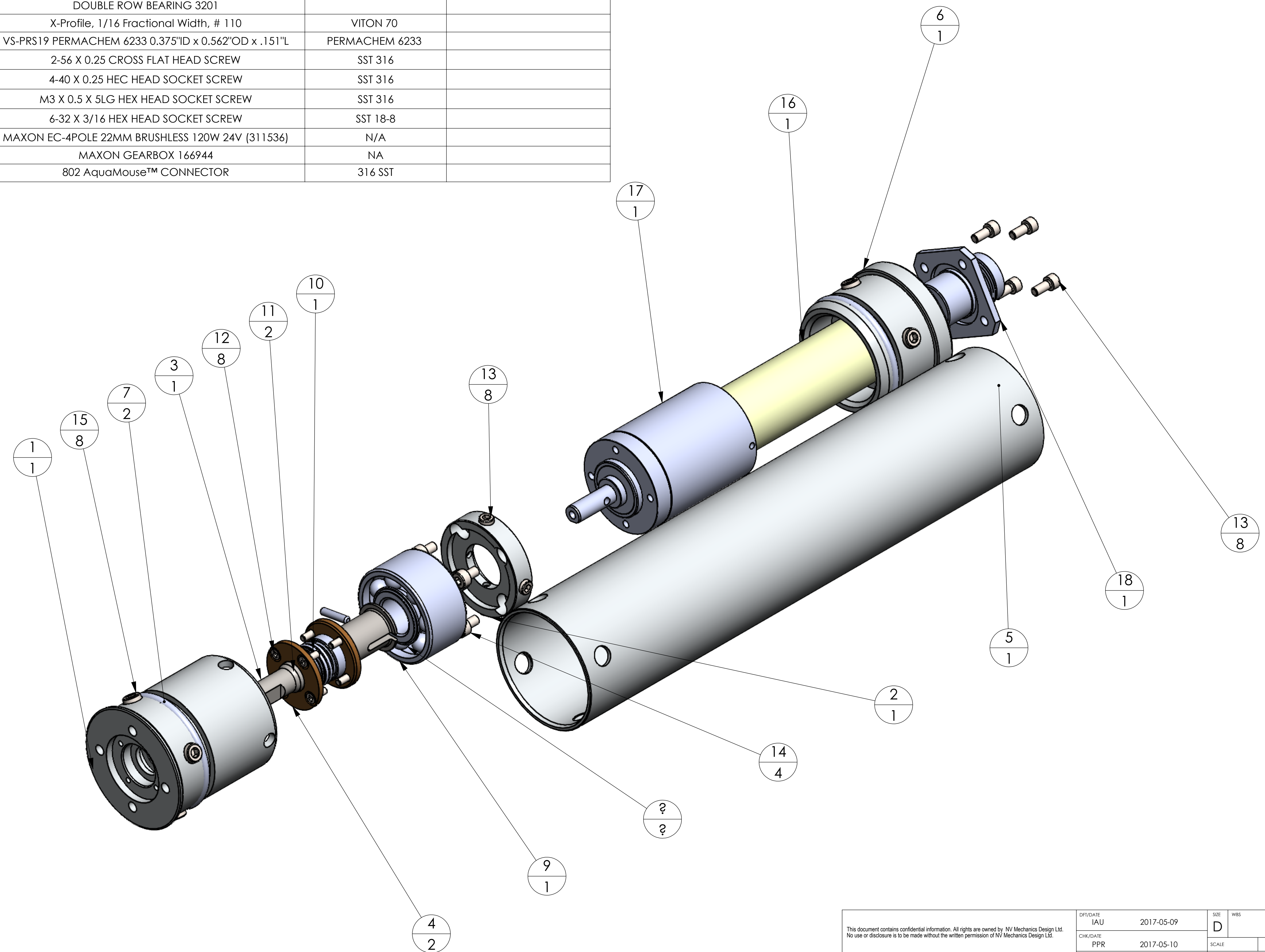


DETAIL A
SCALE 4 : 1



TOLERANCES unless otherwise noted				APPROVAL		 105-3728 NORTH FRASER BURNABY, BC, CANADA, V5P1G1 e-mail: sales@mechanicsdesign.com Phone: 604-250-3375
ANGLES ±0.3°	DECIMALS .XX ±.1	DECIMALS .XXX ±.010	DECIMALS .XXXX ±.005	DR / DATE IAU		
Unless otherwise noted, all dimensions are in inches. DO NOT SCALE. Work to dimensions shown.				CHK / DATE PPR	2017-05-10	SUBSEA ACTUATOR MAXON 24 VDC 123 RPM SQUARE ROBOTS
FINISH				APPRO / DATE PPR	2017-05-10	
INTERPRET PER ANSI Y14.3 AND ANSI Y14.5M		DWG FILE NAME MDM-SR20-UM1000-1.SLDDRW				SIZE D
This document contains confidential information. All rights are owned by NV Mechanics Design Ltd. No use or disclosure is to be made without the written permission of NV Mechanics Design Ltd.						DWG. NO. MDM-SR20-UM1000-1
REVISIONS						SCALE WEIGHT 0.92 LBS
ZONE	REV.	DESCRIPTION	DATE	APPROVED	SHEET 1 OF 2	

BILL OF MATERIALS						
ITEM #	QTY	UOM	PART NUMBER	DESCRIPTION	MATERIAL DESCRIPTION	Vendor
1	1	EA	MDM-SR20-UM1001-1	FRONT END CAP	AL6061-T6	
2	1	EA	MDM-SR20-UM1002-1	MOTOR MOUNT	AL 6061-T6	
3	1	EA	MDM-SR20-UM1003-1	SHAFT	17-4 PH COND H1150	
4	2	EA	MDM-SR20-UM1004-1	RETAINING PLATE	ALUMINUM BRONZE	
5	1	EA	MDM-SR20-UM1005-1	ACTUATOR HOUSING	AL 6061-T6	
6	1	EA	MDM-SR20-UM1006-1	REAR END CAP	AL6061-T6	
7	2	EA	O-RING 028 FKM	028 ORING FKM (VITON) 70A		
8	1	EA				
9	1	EA	DOUBLE ROW BEARING 3201	DOUBLE ROW BEARING 3201		
10	1	EA	QUAD O-RING #110 - VITON	X-Profile, 1/16 Fractional Width, # 110	VITON 70	
11	2	EA	VS-PRS19 PERMACHEM 6233	VS-PRS19 PERMACHEM 6233 0.375"ID x 0.562"OD x .151"L	PERMACHEM 6233	
12	8	EA	2.56 X 0.25 HEX SOCKET FLAT HEAD SCREW	2-56 X 0.25 CROSS FLAT HEAD SCREW	SST 316	
13	8	EA	4.40 X 0.25 HEX HEAD SOCKET SCREW	4-40 X 0.25 HEC HEAD SOCKET SCREW	SST 316	
14	4	EA	M3 X 0.5 X 5 HEX HEAD SOCKET SCREW	M3 X 0.5 X 5LG HEX HEAD SOCKET SCREW	SST 316	
15	8	EA	6.32 X 3.16 HEX HEAD SOCKET SCREW	6-32 X 3/16 HEX HEAD SOCKET SCREW	SST 18-8	
16	1	EA	MAXON MOTOR 311536	MAXON EC-4POLE 22MM BRUSHLESS 120W 24V (311536)	N/A	
17	1	EA	MAXON GEARBOX 166944-66 to1	MAXON GEARBOX 166944	NA	
18	1	EA	802-012-02Z18	802 AquaMouse™ CONNECTOR	316 SST	



<small>This document contains confidential information. All rights are owned by NV Mechanics Design Ltd. No use or disclosure is to be made without the written permission of NV Mechanics Design Ltd.</small>		DFT/DATE IAU 2017-05-09	SIZE D	DWG. NO. MDM-SR20-UM1000-1
		CHK/DATE PPR 2017-05-10	SCALE 	WEIGHT 0.92 LBS
		APPR / DATE PPR 2017-05-10	SHEET 2 OF 2	