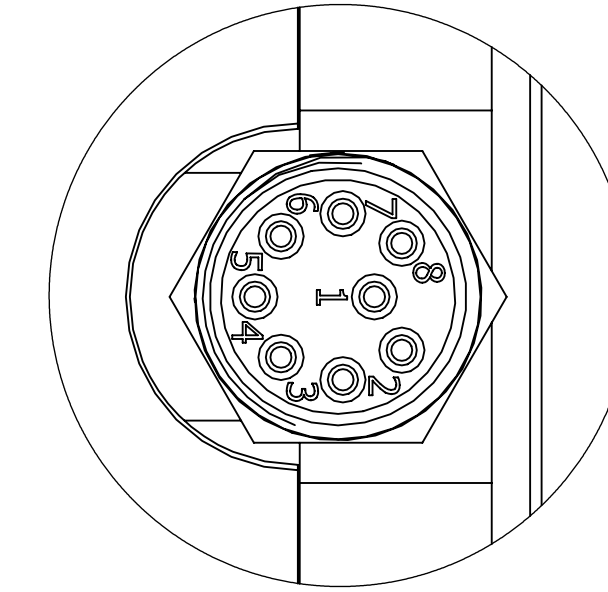
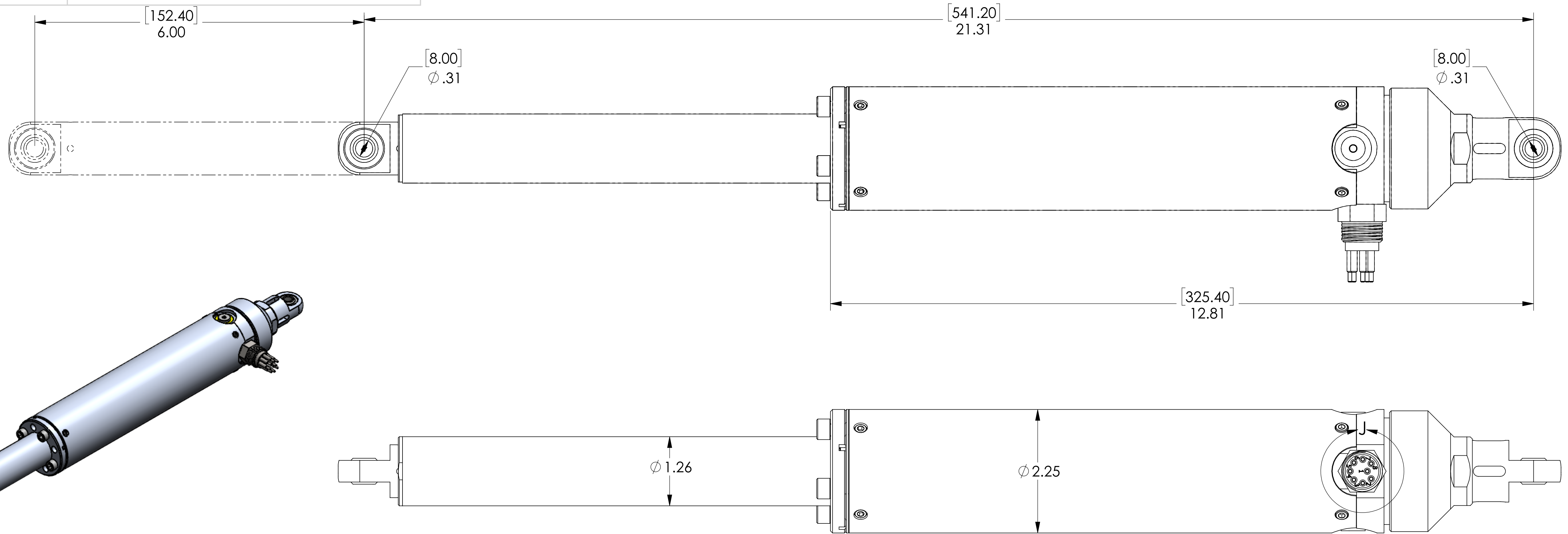


LINEAR ACTUATOR	
MOTOR TYPE	BRUSHLESS MOTOR
NOMINAL VOLTAGE	24VDC
MAXIMUM PUSH PULL FORCE	1000 N (220 lbf)
NOMINAL CURRENT	2.1 A
MAX CONTINUOUS CURRENT	3.5 A
SPEED at 1300 N	6 mm/sec
DIAMETER	2.25" OD (58 mm)
STROKE	6.0" (150mm)
CONNECTOR	MCBH8M INSTALLED WHIP 12" MCIL8F PROVIDED
OIL FILLED (PRESSURE COMPENSATED)	OIL TELLUS S22 OR EQUIVALENT
DEPTH RATING	3000 msw
DRIVER INCLUDED IN THE HOUSING	RS232
ABSOLUTE ENCODER	14 BIT ROTATION, 16 BIT POSITION
SOFTWARE	PROVIDED, NO NEED FOR "ZERO POSITION", LIMIT SWITC

Actuator Connector Pin Number	RS232 (FROM ACTUATOR)
1	(+) 24VDC
2	GND (-) 24VDC
3	GND RS232
4	Rx
5	Tx
6	
7	
8	



DETAIL J  
SCALE 2 : 1



TOLERANCES unless otherwise noted				APPROVAL	
ANGLES ±0.3°	DECIMALS .XX ±.1	DECIMALS .XXX ±.050	DECIMALS .XXXX ±.005	DRF / DATE IAU Dec 10, 2022	 105 - 3728 North Fraser Way Burnaby, BC, V5J 5G1 e-mail: sales@mechanicsdesign.com Phone: 604-250-3375
Unless otherwise noted, all dimensions are in inches. DO NOT SCALE. Work to dimensions shown.				CHK / DATE	
FINISH				APPRO / DATE PPR Dec 10, 2022	<b>SUBSEA LINEAR ACTUATOR RS232</b> <b>150mm STROKE, INTERNAL COMP</b> <b>3,000m DEPTH RATING, AL6061-T6</b>
INTERPRET PER ANSI Y14.3 AND ANSI Y14.5M		DWG FILE NAME UMC23-ME-70000-0.SLDDRW		SIZE D WBS DWG. NO. UMC23-ME-70000-0	
This document contains confidential information. All rights are owned by NV Mechanics Design Ltd. No use or disclosure is to be made without the written permission of NV Mechanics Design Ltd.				SCALE WEIGHT 3.06 LBS SHEET 1 OF 1	

REVISIONS				
ZONE	REV.	DESCRIPTION	DATE	APPROVED