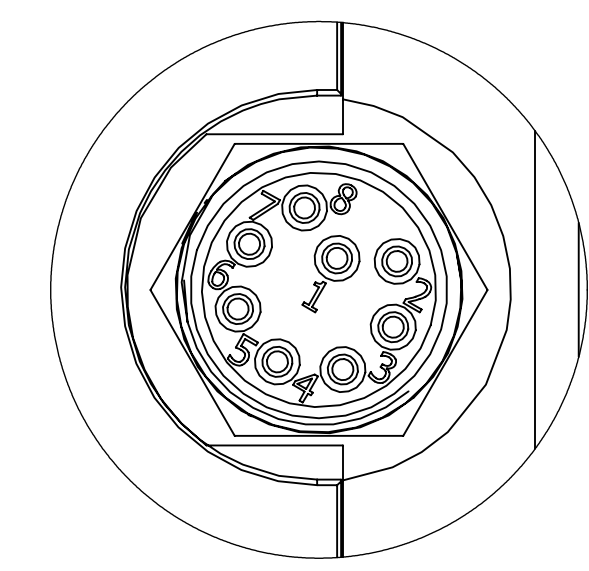
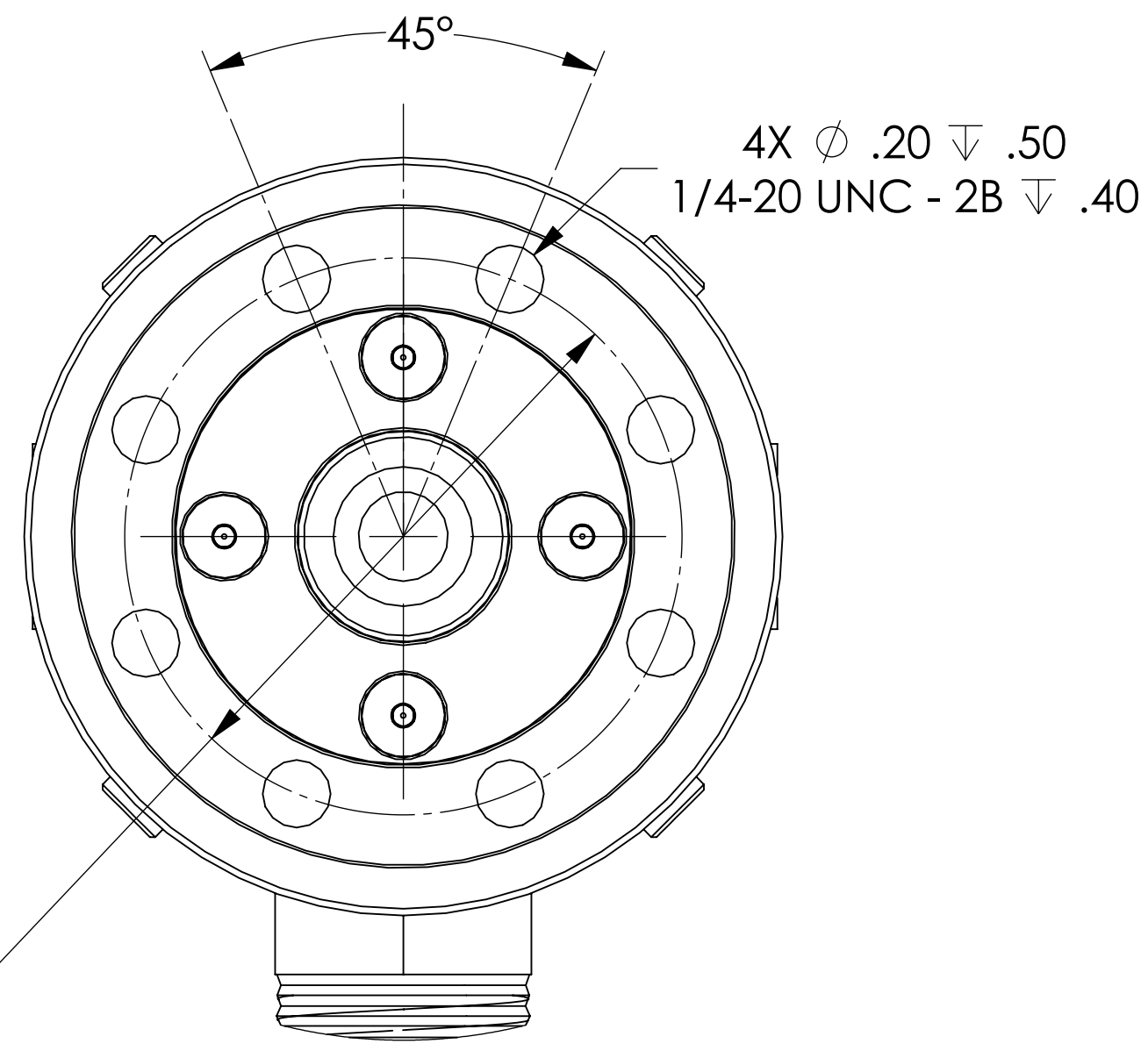
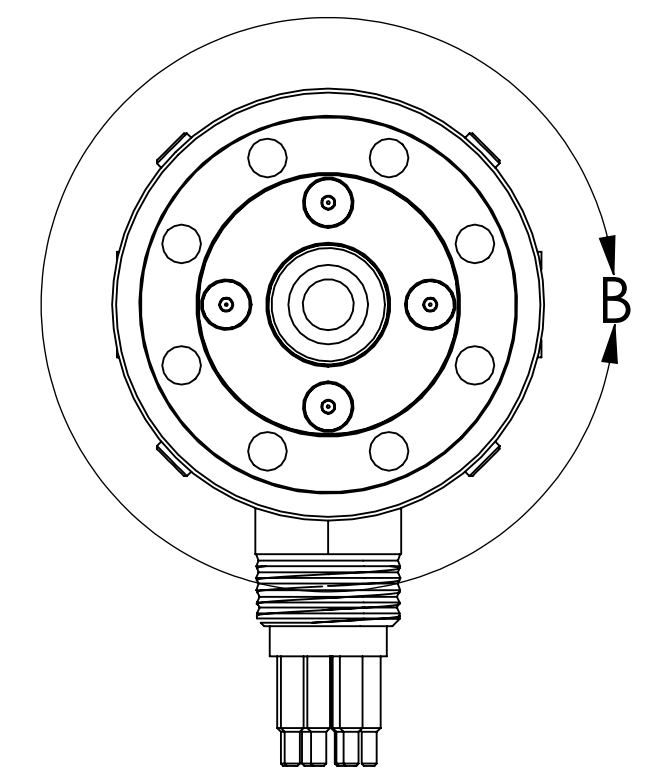
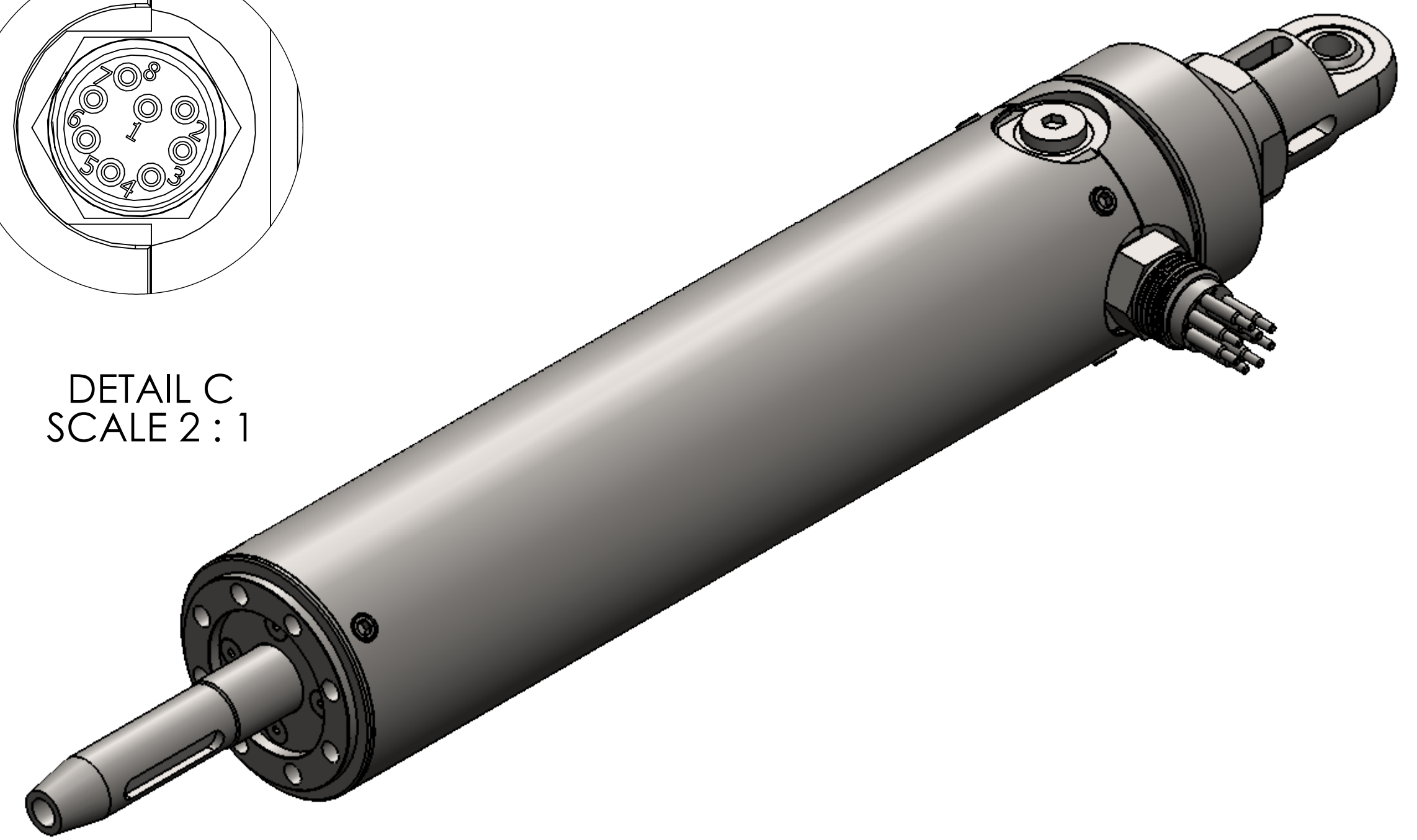


ROTARY ACTUATOR	
MOTOR TYPE	BRUSHLESS MOTOR
NOMINAL VOLTAGE	24VDC
MAX CONTINUOUS TORQUE	[27 Nm]
INTERMITTENTLY PERMISSIBLE TORQUE	[30 Nm]
NOMINAL CURRENT	2.2 A
MAX CONTINUOUS CURRENT	3.5 A
NOMINAL OUTPUT SHAFT SPEED	15 RPM (max 90 degrees/sec)
DIAMETER	2.25" OD (58 mm)
LENGTH	9.5" LONG (243 mm)
CONNECTOR	MCBH8M INSTALLED WHIP 12" MCIL8F PROVIDED
RATED TO 3,000 msw when OIL FILLED	OIL TELLUS S22 (PRESSURE COMPENSATED)
RATED TO 100 msw NON OIL FILLED	3000 msw
DRIVER INCLUDED IN THE HOUSING	RS485/RS422 CONTROL
ABSOLUTE ENCODER ON OUTPUT SHAFT	14 BITS (16,383 counts per turn), NO CALIBRATION REQUIRED
SOFTWARE	PROVIDED

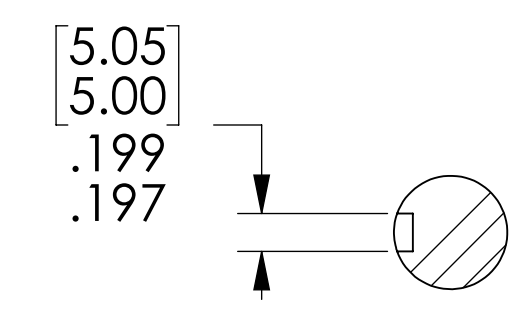
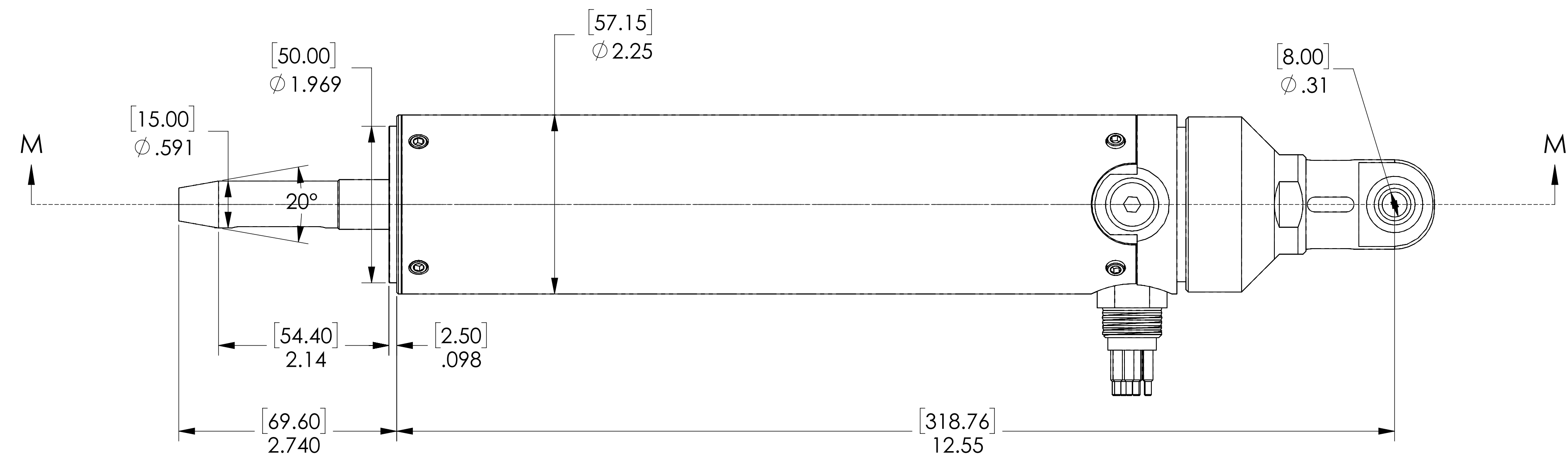
Actuator Connector Pin Number	RS485 (FROM ACTUATOR)
1	(+) 24VDC
2	(-) 24VDC
3	TX+
4	TX-
5	RX+
6	RX-
7	SHIELD / NC
8	SHIELD / NC



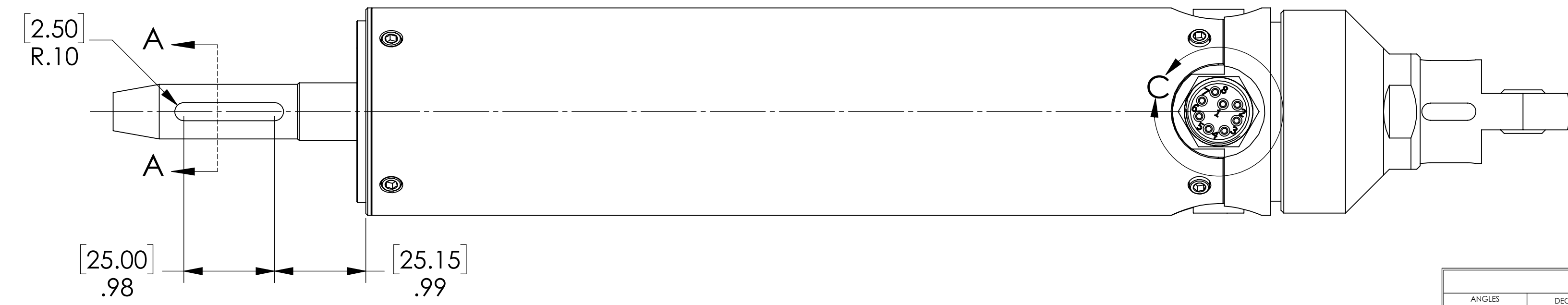
DETAIL C
SCALE 2 : 1



DETAIL B
SCALE 2 : 1



SECTION A-A
SCALE 1 : 1



TOLERANCES unless otherwise noted				APPROVAL	
ANGLES ±0.3°	DECIMALS .XX ±.1	DECIMALS .XXX ±.050	DECIMALS .XXXX ±.005	DRF / DATE IAU FEB 28 2021	
Unless otherwise noted, all dimensions are in inches. DO NOT SCALE. Work to dimensions shown.				CHK / DATE	
FINISH				APPRO / DATE PPR MAR 1, 2021	
INTERPRET PER ANSI Y14.3 AND ANSI Y14.5M		DWG FILE NAME UMR23-ME-30000-0.SLDDRW			
This document contains confidential information. All rights are owned by NV Mechanics Design Ltd. No use or disclosure is to be made without the written permission of NV Mechanics Design Ltd.					

NV Mechanics Design Ltd.
105 - 3728 North Fraser Way
Burnaby, BC, V5J 5G1
e-mail: sales@mechanicsdesign.com
www.mechanicsdesign.com
Phone: 604-250-3375

MD

**SUBSEA ROTARY ACTUATOR
INTERNAL COMP
3,000m DEPTH RATING**

SIZE: D
WBS: UMR23-ME-30000-0
SCALE: WEIGHT: 2.96 LBS SHEET: 1 OF 1

REVISIONS				
ZONE	REV.	DESCRIPTION	DATE	APPROVED