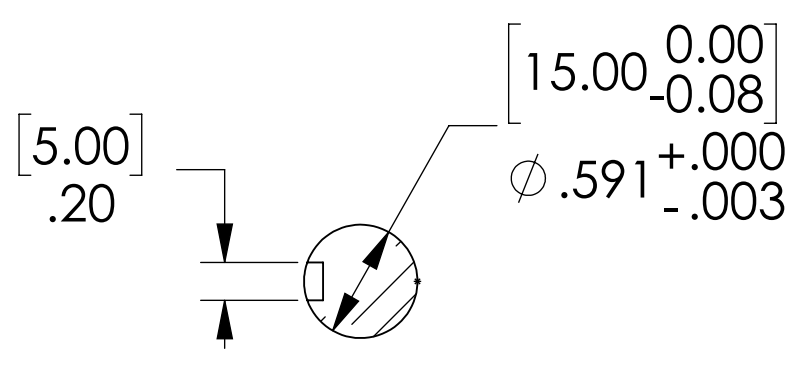
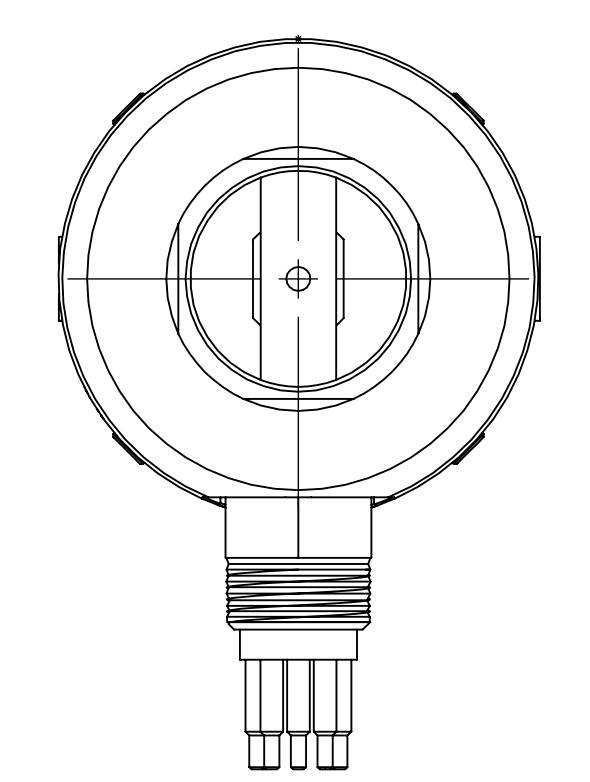
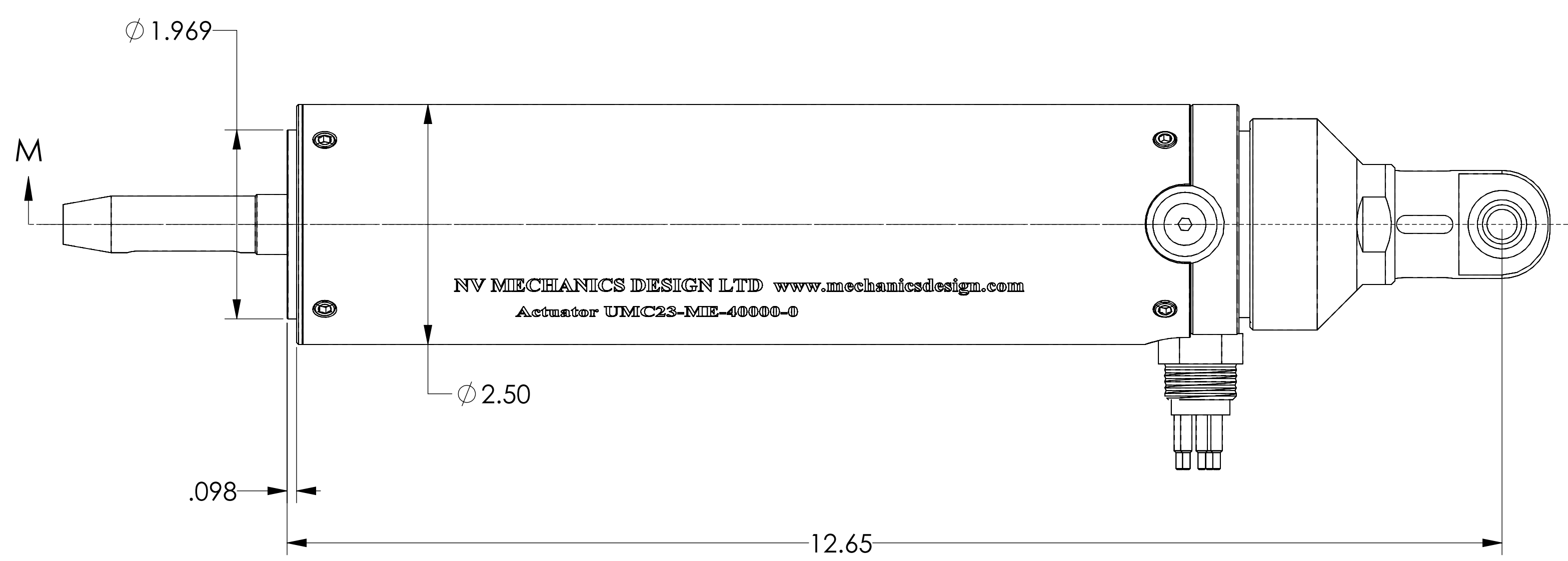
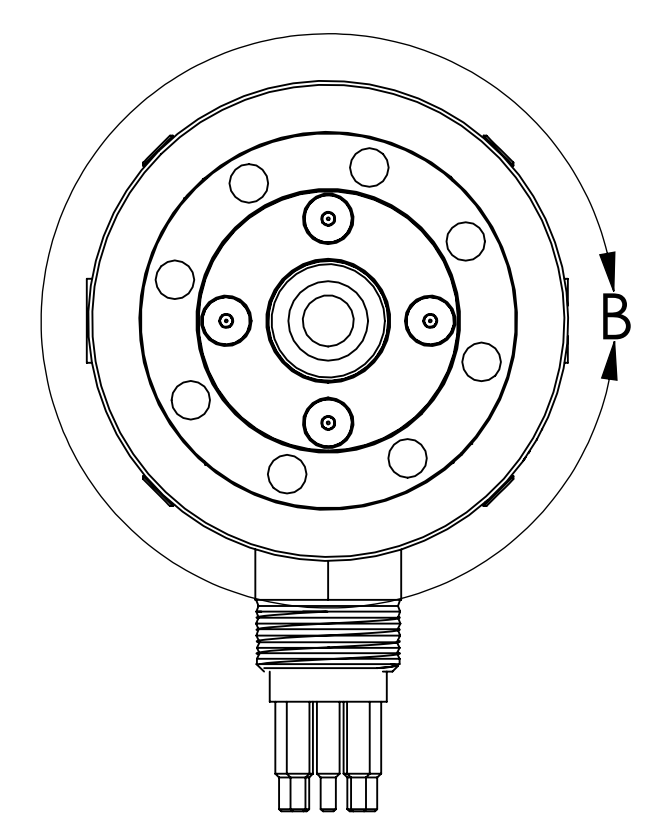
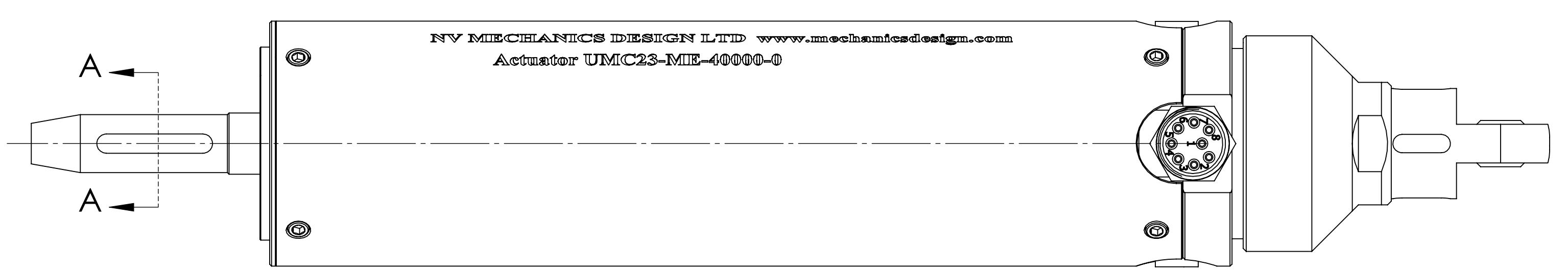


ROTARY ACTUATOR	
MOTOR TYPE	BRUSHLESS MOTOR
NOMINAL VOLTAGE	24VDC
MAX CONTINUOUS TORQUE	[44 Nm]
INTERMITTENTLY PERMISSIBLE TORQUE	[50 Nm]
NOMINAL CURRENT	3.8 A
MAX CONTINUOUS CURRENT	4.2 A
NOMINAL OUTPUT SHAFT SPEED	15 RPM (max 90 degrees/sec)
DIAMETER	2.5" OD (58 mm)
LENGTH	12.65" LONG (260 mm)
CONNECTOR	MCBRA8M INSTALLED WHIP 12" MC1&F PROVIDED
RATED TO 3,000 msw when OIL FILLED	OIL TELLUS S22 (PRESSURE COMPENSATED)
RATED TO 100 msw NON OIL FILLED	3000 msw
DRIVER INCLUDED IN THE HOUSING	RS485/RS422 CONTROL
ABSOLUTE ENCODER ON OUTPUT SHAFT	14 BITS (16,383 counts per turn), NO CALIBRATION REQUIRED
SOFTWARE	PROVIDED

Actuator Connector Pin Number	RS485 (FROM ACTUATOR)
1	(+) 24VDC
2	(-) 24VDC
3	TX+
4	TX-
5	RX+
6	RX-
7	SHIELD / NC
8	SHIELD / NC

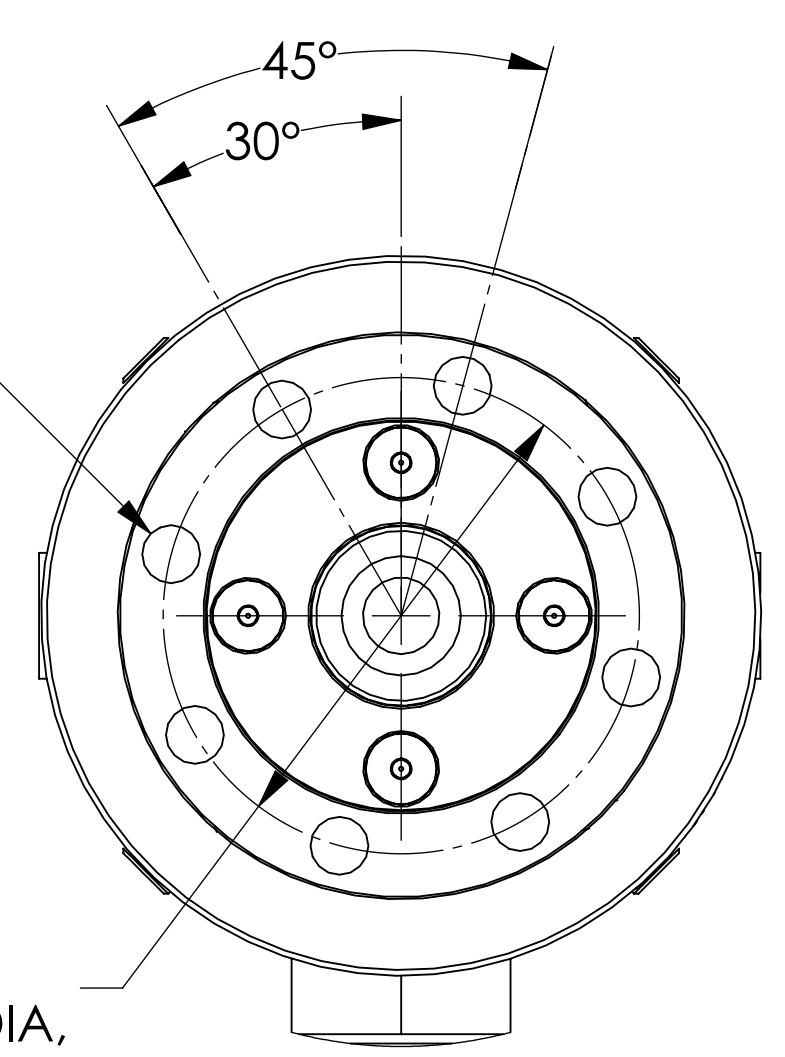


SECTION A-A
SCALE 1 : 1




8X ϕ .201 ∇ .500
1/4-20 UNC - 2B ∇ .40

[42.00]
 ϕ 1.65
BOLT CIRCLE DIA,



DETAIL B
SCALE 1.5 : 1

TOLERANCES unless otherwise noted				APPROVAL		 NV Mechanics Design Ltd. 105 - 3728 North Fraser Way Burnaby, BC, V5J 5G1 e-mail: sales@mechanicsdesign.com
ANGLES $\pm 0.3^\circ$	DECIMALS .XX $\pm .1$	DECIMALS .XXX $\pm .050$	DECIMALS .XXXX $\pm .005$	DRF / DATE IAU DEC 28, 2023	CHK / DATE PPR DEC 28, 2023	
Unless otherwise noted, all dimensions are in inches. DO NOT SCALE. Work to dimensions shown.				APPRO / DATE		SUBSEA ROTARY ACTUATOR INTERNAL COMP 3,000m DEPTH RATING
INTERPRET PER ANSI Y14.3 AND ANSI Y14.5M	DWG FILE NAME UMR24-ME-50000-0.SLDDRW			APPRO / DATE		
This document contains confidential information. All rights are owned by NV Mechanics Design Ltd. No use or disclosure is to be made without the written permission of NV Mechanics Design Ltd.						SIZE D SCALE WEIGHT 4.51 LBS SHEET 1 OF 1

REVISIONS				
ZONE	REV.	DESCRIPTION	DATE	APPROVED